



GREENSHINE NEW ENERGY

ENJOY COST EFFECTIVE NATURAL ENERGY

Solar Lawn Light (S-LL40)

Solar Lawn Light (S-LL40) is ideal for pathway lighting, sidewalk lighting, private road lighting, jogging and bike path lighting, perimeter security lighting, farm & ranch lighting, park lighting, gate lighting, yard lighting, campus lighting etc.

Solar Panel	6W, PV module
Light Source	3W, super bright white LED, 2800~7000K
Battery	12V 7Ah, deep cycle lead acid battery
Working Time	More than 8 hours after fully charged
Main Material	Die-cast aluminum, IP65
Size	39" (1000mm) (H) x 3"(328mm) (W)
Working Temperature	-30°C ~ 50°C (-22°C ~ 122°C)
G.W.	27lbs



Standard Features

- PV module: over 25 years of power generation capacity
- Super bright white LEDs, long lifespan, exceed 50,000 hours
- Solar charge intelligent controller.

Applications

- Pathway Lighting
- Park Lighting
- Ramp Lighting
- Gate Lighting
- Sidewalk Lighting
- Yard Lighting

Greenshine New Energy Co.,Ltd.

Company address: 360 Goddard, Irvine, CA 92618, USA

Tel : +1-949-609-9636, Fax: +1-949-362-1810, E-mail: sales@streetlamp-solar.com

Website: <http://www.streetlamp-solar.com>



GREENSHINE NEW ENERGY

ENJOY COST EFFECTIVE NATURAL ENERGY

- Over charging/discharging protection
- Protection Against Moisture, save 75%-80% energy
- Cast aluminum pole, anti-corrosion, up to 20~25 years long life time

Benefits

- No line voltage, trenching, or metering
- No power outages
- Battery backup for cloudy or rainy days
- Distributed light and power - no single point of failure for enhanced security
- Easy to install with quick connect plugs - less than 1 hour
- No scheduled maintenance for up to 5 years
- No cost of replacing concrete, asphalt or landscaping
- No cost of transformers or meters to be added for electric service
- Qualify for savings from various state and federal taxes and incentives
- No monthly electric bills
- Controlled charging to prolong battery service life
- Long-life PV modules with more than 25 years of power generation capacity
- Environmentally friendly - 100% powered by the sun, solar panels reduce fossil fuel consumption, eliminating pollution
- Self-contained solution - Light on/off controlled by automatic daylight sensing or hour preset, no running or maintenance cost
- Better light source - LED lights feature cool white light without flickering and higher brightness than sodium lights
- Safe 12 volt/24 volt circuit, no risk of electric shock

- Private Road Lighting
- Fence Lighting
- Farm & Ranch Lighting
- Campus Lighting

Storage Tips

- The default status of lights is "OFF" switch.
- Keep the all the components well packaged during storage.
- Store in a well-ventilated area and keep components away from dust and dirt.
- Environmental Temperature Range: -30°C ~ 80°C (-22°F to 176°F)
- Relative Humidity: less than 90%, without condensation.
- Keep goods away from corrosive gases and liquids.
- IMPORTANT: For long-term storage, the battery should be connected to a battery tender or discharged and charged once a month. Otherwise the battery may work improperly.

Operating Environment

- Ambient Operating Temperature Range: -22°F to 122°F
- Humidity Range: 10 - 90%

Notes

- Please test the entire lights before installation. Please put the solar lawn lights under the sunshine, turn on the switches & make the PV modules covered to have the lights be on/off automatically. If the lamps are on under the pall and off when remove the pall, the lamps are good.

Greenshine New Energy Co.,Ltd.

Company address: 360 Goddard, Irvine, CA 92618, USA

Tel : +1-949-609-9636, Fax: +1-949-362-1810, E-mail: sales@streetlamp-solar.com

Website: <http://www.streetlamp-solar.com>



GREENSHINE NEW ENERGY

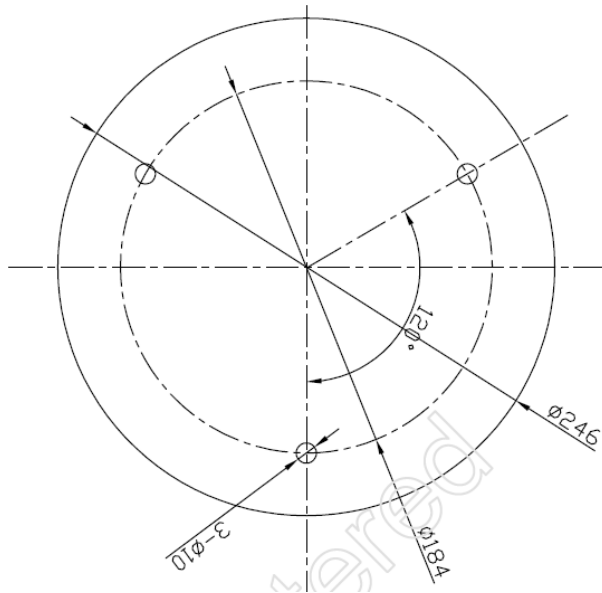
ENJOY COST EFFECTIVE NATURAL ENERGY

Warnings

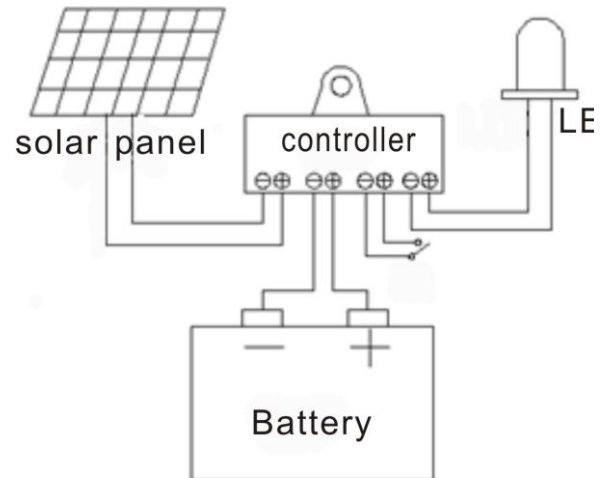
- ✓ It's forbidden to install lamps near combustible materials.
- ✓ The wires have to be replaced by the manufacturer or its service agents or qualified contractors to prevent danger if/when the inner wires are damaged.
- ✓ Do not exert force on lamp bodies.
- ✓ Put the lights in a cool, dry and clean place, and turn off the switch. It's forbidden to put lamps into water or fire.
- ✓ Do not discard scrap lamps. Put them in specified areas and have them treated properly.

Installation

Please fix the lamp body, make an opening at the concrete road or concrete foundations according to the lamp's fixed hole before the installation, then fix the lamp on the foundation (refer to below installation diagram).



Bottom Flange



system connection

Greenshine New Energy Co.,Ltd.

Company address: 360 Goddard, Irvine, CA 92618, USA

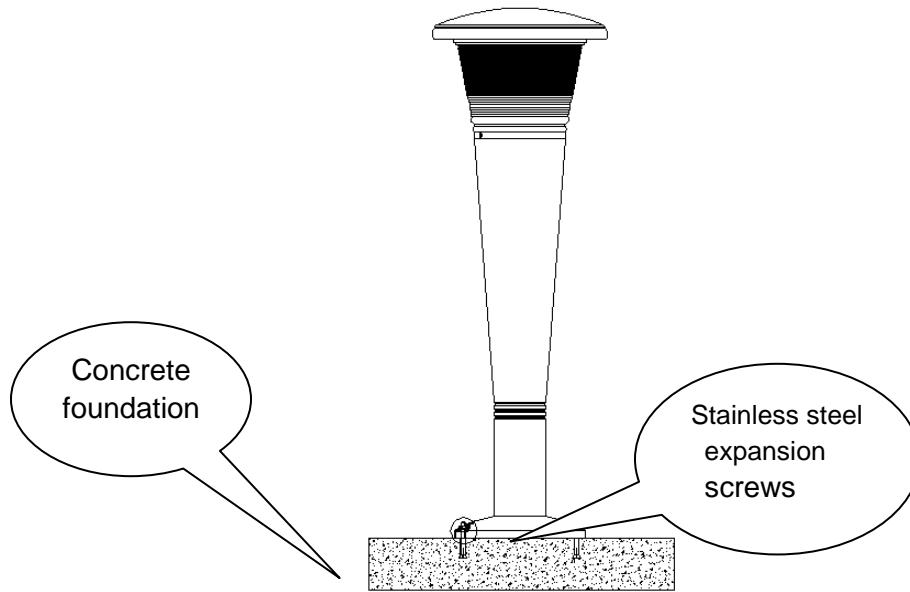
Tel : +1-949-609-9636, Fax: +1-949-362-1810, E-mail: sales@streetlamp-solar.com

Website: <http://www.streetlamp-solar.com>

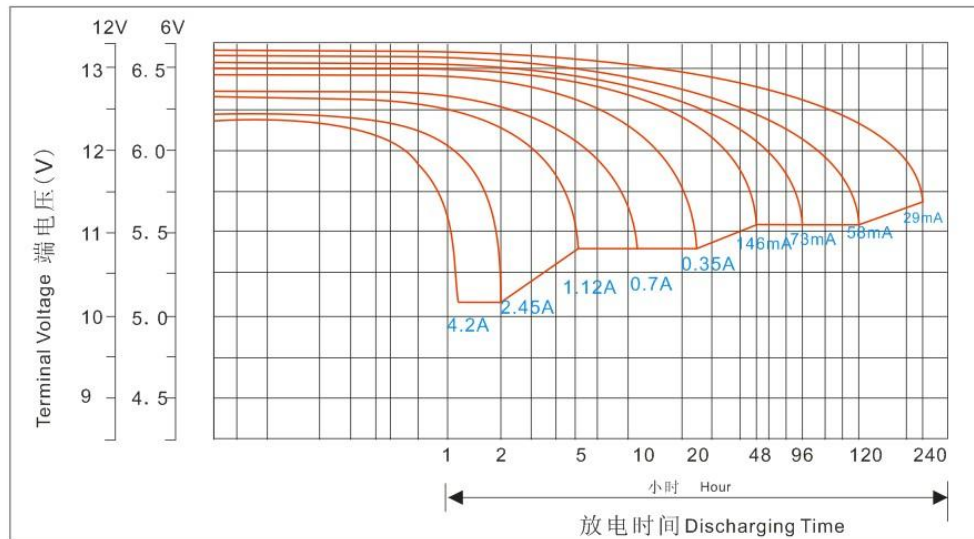


GREENSHINE NEW ENERGY

ENJOY COST EFFECTIVE NATURAL ENERGY



Installation Diagram



Discharging Characteristics curve graph (25°C/77°F)

Greenshine New Energy Co., Ltd.

Company address: 360 Goddard, Irvine, CA 92618, USA

Tel : +1-949-609-9636, Fax: +1-949-362-1810, E-mail: sales@streetlamp-solar.com

Website: <http://www.streetlamp-solar.com>



GREENSHINE NEW ENERGY

ENJOY COST EFFECTIVE NATURAL ENERGY

Troubleshooting

Problems	Problems Cause	Solutions
The light doesn't work when the PV module is covered.	The solar panel isn't fully covered.	Please make the PV module covered fully.
	The switch is off.	Please turn on the switch.
	Poor connection	Please make sure connectors of the controller is well connected.
	The controller is damaged.	Repair the controller or replace it with the same model controller.
The light fails to turn off.	Ambient light is much weaker.	The light source will start automatically when the ambient light is strong enough.
	Poor connection	Check the connection between solar panel and controller to make sure wire interface is under normal situation.
	The controller is damaged.	Repair the controller or replace it with the same model controller.
Lights shut off too soon.	The PV module is covered by the other things.	Clean the PV module.
	Poor connection	Check the connection between the battery and the controller to make sure wire interface is in good condition.
	The voltage of the battery is low.	If the low voltage is caused by too many rainy days, it will recover automatically when the sun returns.

Greenshine New Energy Co.,Ltd.

Company address: 360 Goddard, Irvine, CA 92618, USA

Tel : +1-949-609-9636, Fax: +1-949-362-1810, E-mail: sales@streetlamp-solar.com

Website: <http://www.streetlamp-solar.com>